

Association Analysis

UE 141 Spring 2013

Jing Gao
SUNY Buffalo

Association Rule Mining

- Given a set of transactions, find rules that will predict the occurrence of an item based on the occurrences of other items in the transaction

Market-Basket transactions

<i>TID</i>	<i>Items</i>
1	Bread, Milk
2	Bread, Diaper, Beer, Eggs
3	Milk, Diaper, Beer, Coke
4	Bread, Milk, Diaper, Beer
5	Bread, Milk, Diaper, Coke

Example of Association Rules

$\{\text{Diaper}\} \rightarrow \{\text{Beer}\},$
 $\{\text{Milk, Bread}\} \rightarrow \{\text{Eggs, Coke}\},$
 $\{\text{Beer, Bread}\} \rightarrow \{\text{Milk}\},$

Implication means co-occurrence,
not causality!

Definition: Frequent Itemset

- **Itemset**
 - A collection of one or more items
 - Example: {Milk, Bread, Diaper}
 - k-itemset
 - An itemset that contains k items
- **Support count (σ)**
 - Frequency of occurrence of an itemset
 - E.g. $\sigma(\{\text{Milk, Bread, Diaper}\}) = 2$
- **Support**
 - Fraction of transactions that contain an itemset
 - E.g. $s(\{\text{Milk, Bread, Diaper}\}) = 2/5$
- **Frequent Itemset**
 - An itemset whose support is greater than or equal to a *minsup* threshold

<i>TID</i>	<i>Items</i>
1	Bread, Milk
2	Bread, Diaper, Beer, Eggs
3	Milk, Diaper, Beer, Coke
4	Bread, Milk, Diaper, Beer
5	Bread, Milk, Diaper, Coke

Definition: Association Rule

- Association Rule
 - An implication expression of the form $X \rightarrow Y$, where X and Y are itemsets
 - Example:
 $\{\text{Milk, Diaper}\} \rightarrow \{\text{Beer}\}$

<i>TID</i>	<i>Items</i>
1	Bread, Milk
2	Bread, Diaper, Beer, Eggs
3	Milk, Diaper, Beer, Coke
4	Bread, Milk, Diaper, Beer
5	Bread, Milk, Diaper, Coke

- Rule Evaluation Metrics
 - Support (s)
 - ◆ Fraction of transactions that contain both X and Y
 - Confidence (c)
 - ◆ Measures how often items in Y appear in transactions that contain X

Example:

$\{\text{Milk, Diaper}\} \Rightarrow \text{Beer}$

$$s = \frac{\sigma(\text{Milk, Diaper, Beer})}{|T|} = \frac{2}{5} = 0.4$$

$$c = \frac{\sigma(\text{Milk, Diaper, Beer})}{\sigma(\text{Milk, Diaper})} = \frac{2}{3} = 0.67$$

Association Rule Mining Task

- Given a set of transactions T , the goal of association rule mining is to find all rules having
 - support \geq *minsup* threshold
 - confidence \geq *minconf* threshold
- Brute-force approach:
 - List all possible association rules
 - Compute the support and confidence for each rule
 - Prune rules that fail the *minsup* and *minconf* thresholds

⇒ **Computationally prohibitive!**

Mining Association Rules

<i>TID</i>	<i>Items</i>
1	Bread, Milk
2	Bread, Diaper, Beer, Eggs
3	Milk, Diaper, Beer, Coke
4	Bread, Milk, Diaper, Beer
5	Bread, Milk, Diaper, Coke

Example of Rules:

$\{\text{Milk, Diaper}\} \rightarrow \{\text{Beer}\}$ ($s=0.4, c=0.67$)
 $\{\text{Milk, Beer}\} \rightarrow \{\text{Diaper}\}$ ($s=0.4, c=1.0$)
 $\{\text{Diaper, Beer}\} \rightarrow \{\text{Milk}\}$ ($s=0.4, c=0.67$)
 $\{\text{Beer}\} \rightarrow \{\text{Milk, Diaper}\}$ ($s=0.4, c=0.67$)
 $\{\text{Diaper}\} \rightarrow \{\text{Milk, Beer}\}$ ($s=0.4, c=0.5$)
 $\{\text{Milk}\} \rightarrow \{\text{Diaper, Beer}\}$ ($s=0.4, c=0.5$)

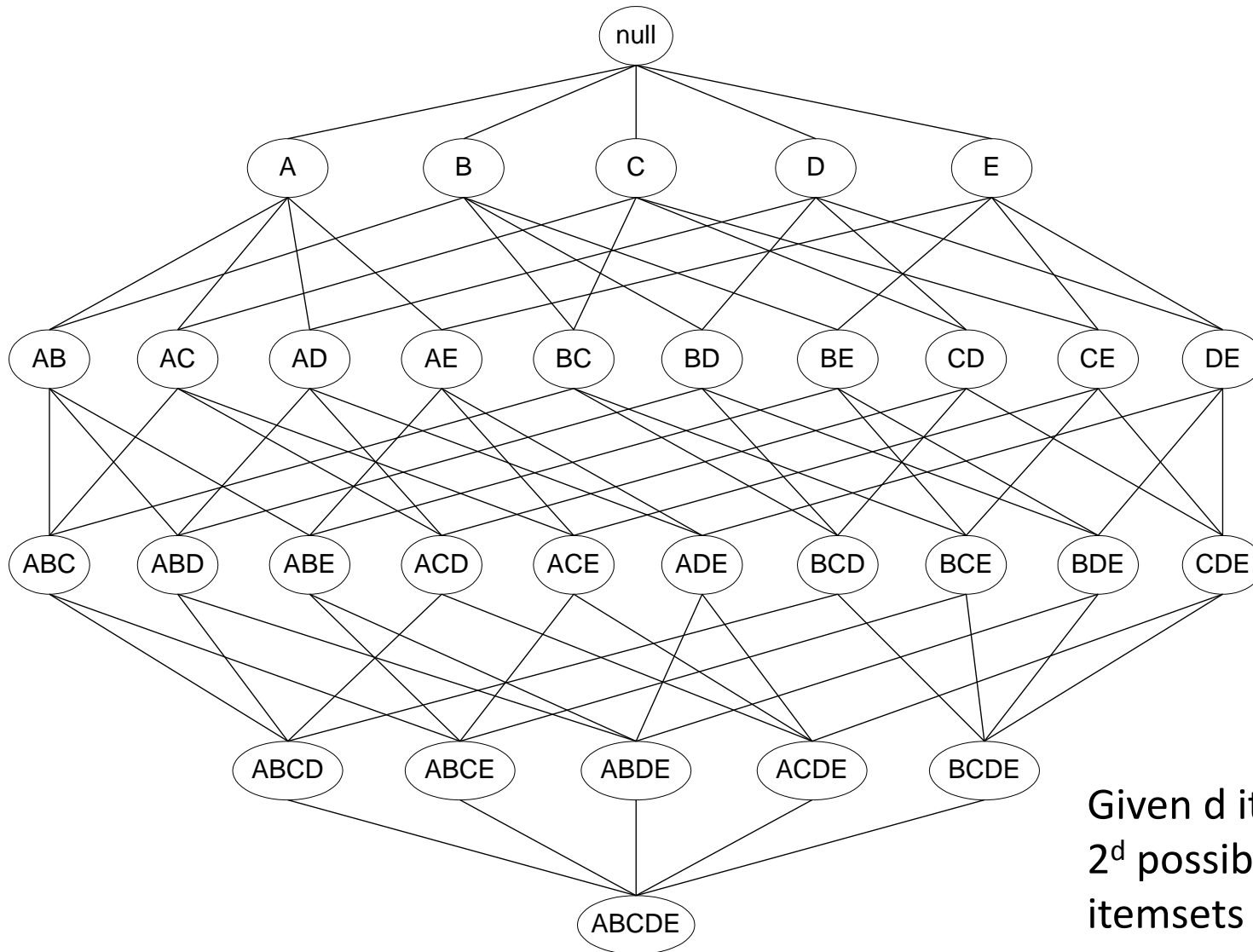
Observations:

- All the above rules are binary partitions of the same itemset:
 $\{\text{Milk, Diaper, Beer}\}$
- Rules originating from the same itemset have identical support but can have different confidence
- Thus, we may decouple the support and confidence requirements

Mining Association Rules

- Two-step approach:
 1. **Frequent Itemset Generation**
 - Generate all itemsets whose support \geq minsup
 2. **Rule Generation**
 - Generate high confidence rules from each frequent itemset, where each rule is a binary partitioning of a frequent itemset
- Frequent itemset generation is still computationally expensive

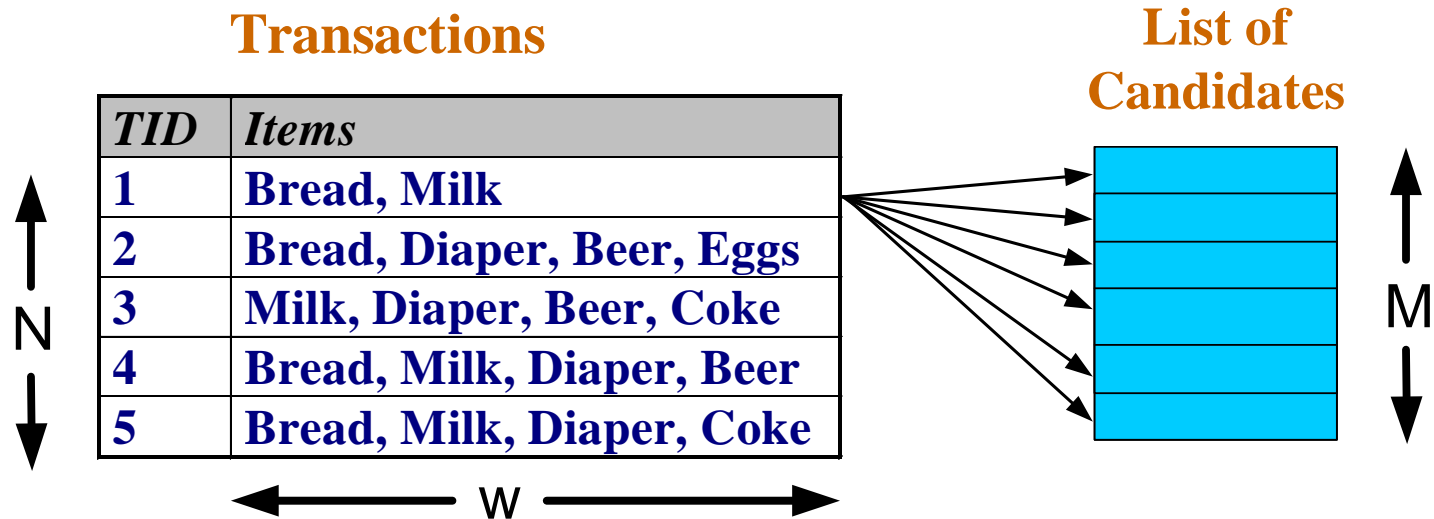
Frequent Itemset Generation



Given d items, there are 2^d possible candidate itemsets

Frequent Itemset Generation

- Brute-force approach:
 - Each itemset in the lattice is a **candidate** frequent itemset
 - Count the support of each candidate by scanning the database



- Match each transaction against every candidate

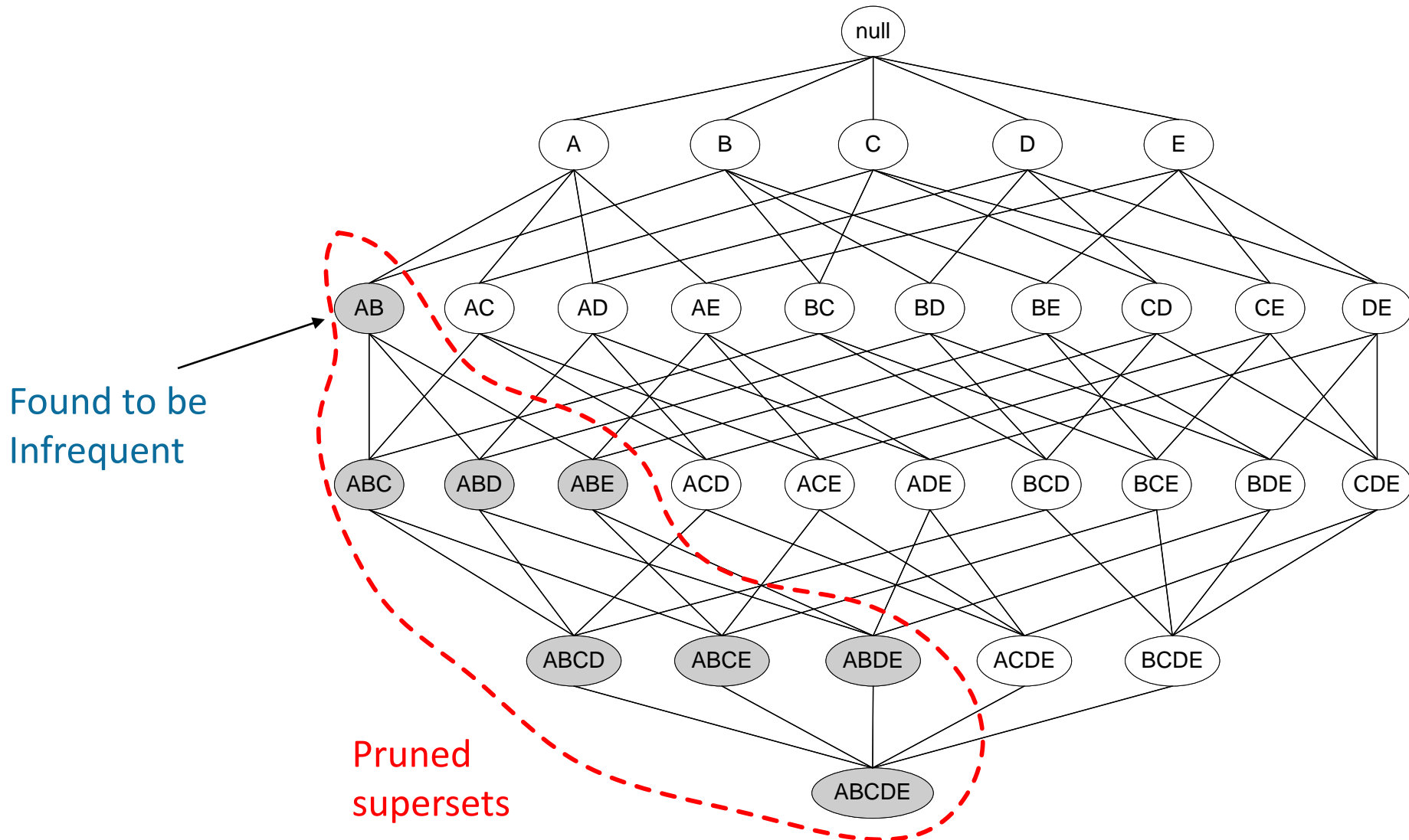
Reducing Number of Candidates

- **Apriori principle:**
 - If an itemset is frequent, then all of its subsets must also be frequent
- Apriori principle holds due to the following property of the support measure:

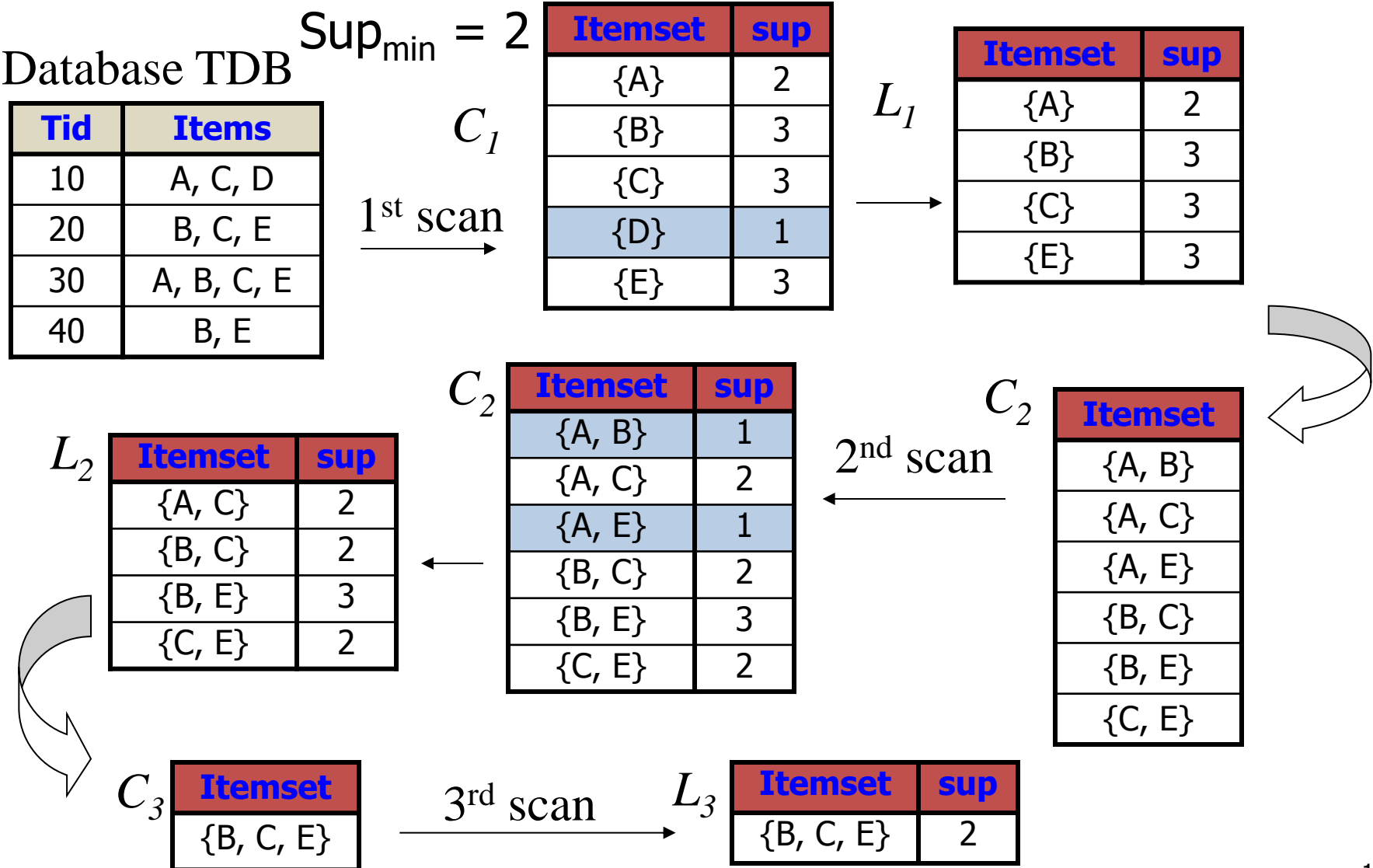
$$\forall X, Y : (X \subseteq Y) \Rightarrow s(X) \geq s(Y)$$

- Support of an itemset never exceeds the support of its subsets
- This is known as the **anti-monotone** property of support

Illustrating Apriori Principle



The Apriori Algorithm—An Example



Mining Association Rules from Record Data

How to apply association analysis formulation to record data?

Session Id	Country	Session Length (sec)	Number of Web Pages viewed	Gender	Browser Type	Buy
1	USA	982	8	Male	IE	No
2	China	811	10	Female	Chrome	No
3	USA	2125	45	Female	Mozilla	Yes
4	Germany	596	4	Male	IE	Yes
5	Australia	123	9	Male	Mozilla	No
...

Example of Association Rule:

$$\{\text{Number of Pages} \in [5,10) \wedge (\text{Browser}=\text{Mozilla})\} \rightarrow \{\text{Buy} = \text{No}\}$$

Handling Categorical Attributes

- Transform categorical attribute into binary variables
- Introduce a new “item” for each distinct attribute-value pair
 - Example: replace Browser Type attribute with
 - Browser Type = Internet Explorer
 - Browser Type = Mozilla
 - Browser Type = Chrome

Handling Categorical Attributes

- Potential Issues
 - What if attribute has many possible values
 - Example: attribute country has more than 200 possible values
 - Many of the attribute values may have very low support
 - Potential solution: Aggregate the low-support attribute values
 - What if distribution of attribute values is highly skewed
 - Example: 95% of the visitors have Buy = No
 - Most of the items will be associated with (Buy=No) item
 - Potential solution: drop the highly frequent items

Handling Continuous Attributes

- Different kinds of rules:
 - $\text{Age} \in [21, 35) \wedge \text{Salary} \in [70\text{k}, 120\text{k}) \rightarrow \text{Buy}$
 - $\text{Salary} \in [70\text{k}, 120\text{k}) \wedge \text{Buy} \rightarrow \text{Age: } \mu=28, \sigma=4$
- Different methods:
 - Discretization-based
 - Statistics-based

Question

- **Will association analysis help Wal-mart?**
 - Start with the “beer and diaper” story
 - Discuss possible benefits and challenges in using association analysis for supermarkets